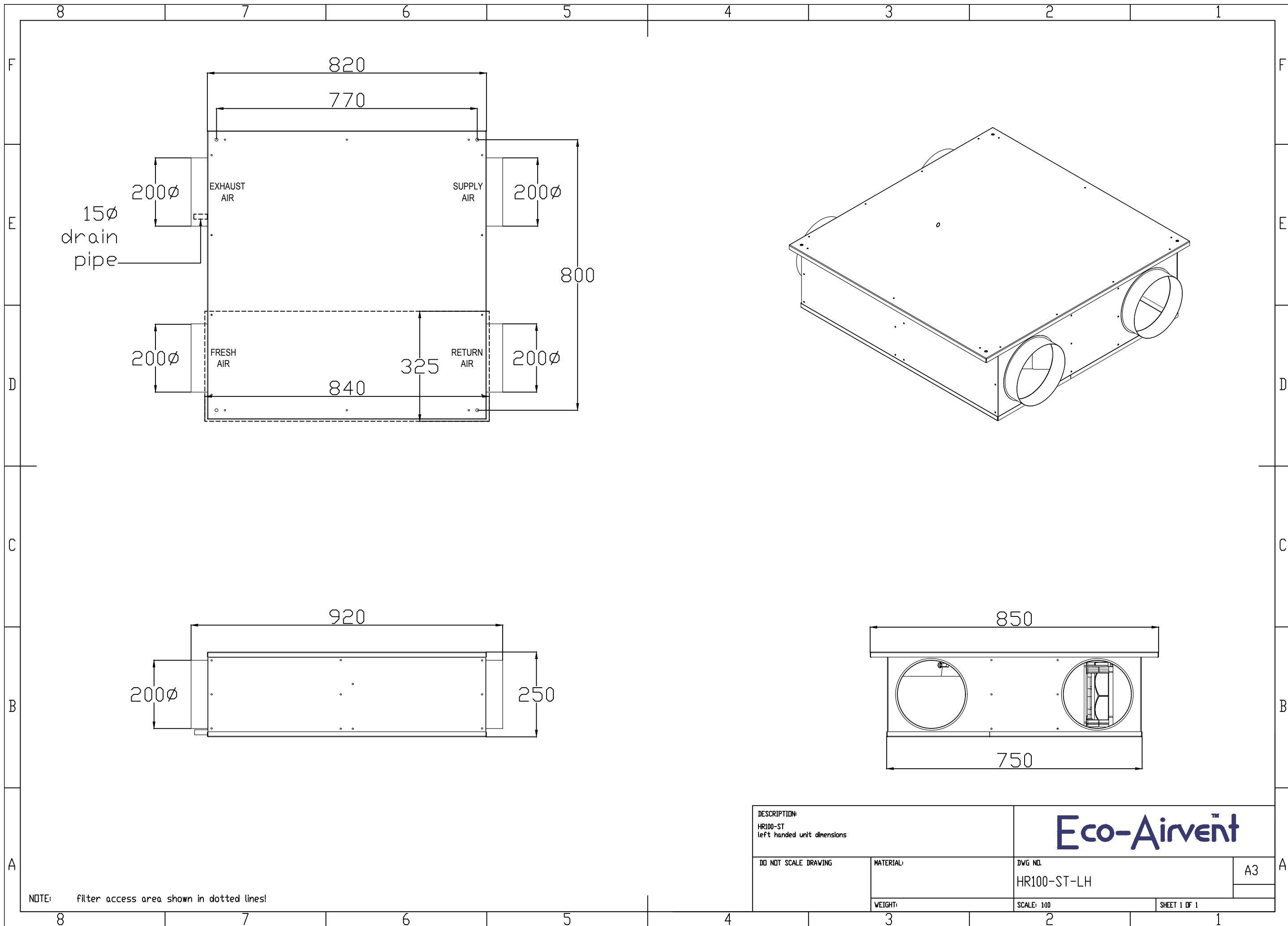


NOTE: filter access area shown in dotted lines!

DESCRIPTION: HR100-ST right handed unit dimensions		<b>Eco-Airvent</b>	
DO NOT SCALE DRAWING	MATERIAL:	DWG NO. HR100-ST-RH	A3
	WEIGHT:	SCALE: 1:10	SHEET 1 OF 1



NOTE: filter access area shown in dotted lines!

DESCRIPTION: HR100-ST left handed unit dimensions		<b>Eco-Airvent</b>	
DO NOT SCALE DRAWING	MATERIAL:	DWG NO. HR100-ST-LH	A3
	WEIGHT:	SCALE: 1:10	SHEET 1 OF 1