

8 7 6 5 4 3 2 1

F

F

E

E

D

D

C

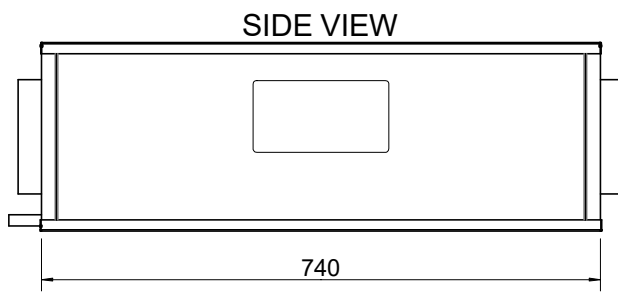
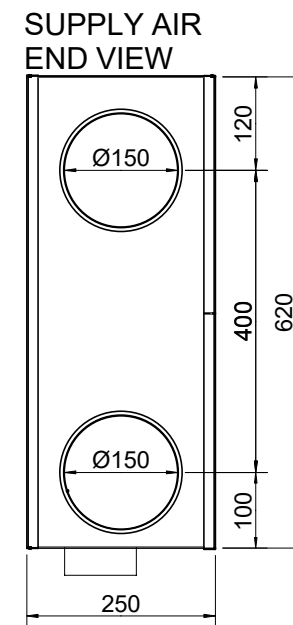
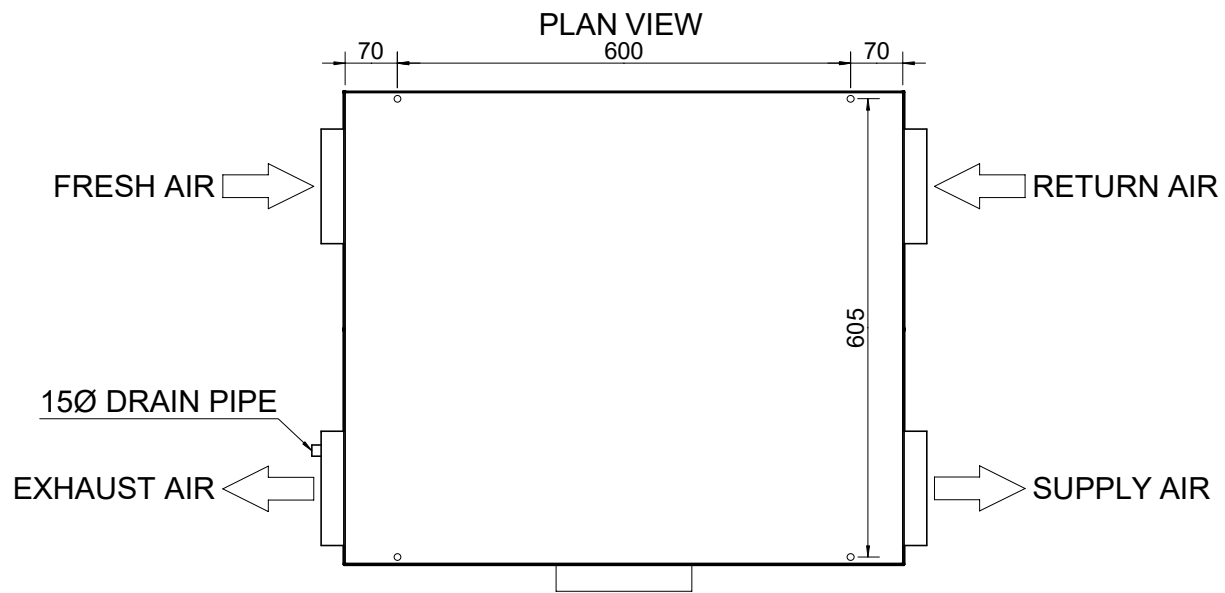
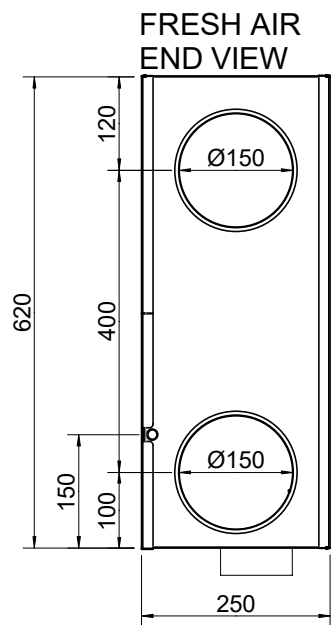
C

B

B

A

A



IMPORTANT NOTE: NO ALTERNATIVE SPIGOT CONFIGURATIONS ARE AVAILABLE ON THIS RIGHT HAND UNIT.

REVISION	REASON FOR REVISION	INITIALS	DATE	DRAWING No: KHR40RH
REV A				DRAWING DESCRIPTION: KOMPAKT KHR40 RIGHT HAND
REV B				QUOTE No AND NAME: NA
REV C				DRAWN BY: PJT DATE: 26/02/17 SCALE: 1:10 @ A4 DIMENSIONS: mm



8 7 6 5 4 3 2 1