

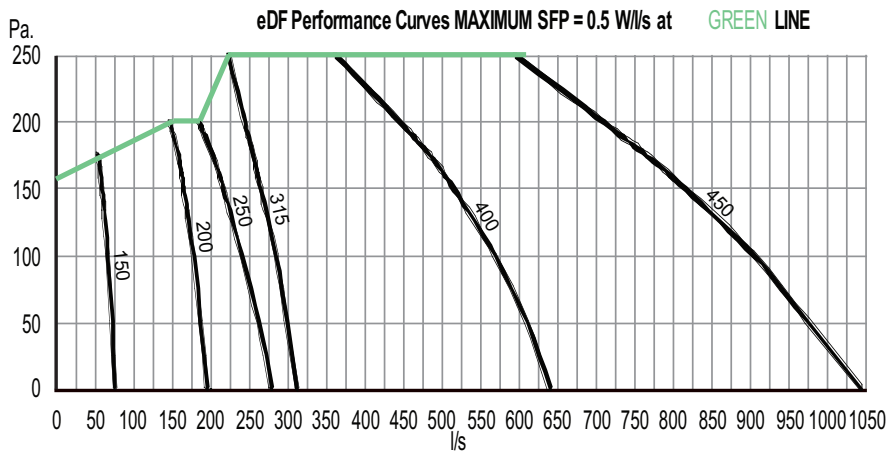
Eco-Airvent™

The eDF range of ducted extract fans offer duties up to 900 l/s installed performance.

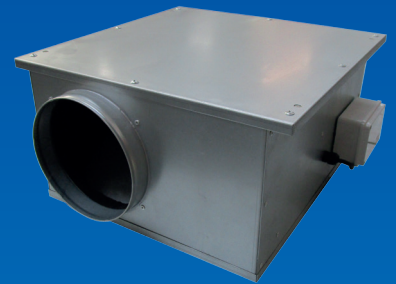
Suitable for commercial applications with an external option using the 'W' weather proofed version. Fans in this series comply with <math><0.5\text{ W/l/s SFP}</math> as required in the non-Domestic Building Services Directive 2013 on all parts of the fan curves selected below the green line. Manufactured from high quality galvanized sheet steel, fitted with acoustic non-hygroscopic foam and non-overloading 100,000 hour long life, low energy EC fans. Twin Fans (eTF) are also available - see separate catalogue.

**0.36
W/l/s
SFP**
Typical

**eDF / eDF PLUS
Acoustic Fans
ULTRA LOW
ENERGY**



eDF Series Performance Data							
Model		External Static Pressure (Pa)					
		0	50	100	150	200	250
150	Airflow l/s	75	70	65	58	50	-
200	Airflow l/s	208	200	192	181	166	150
250	Airflow l/s	275	260	235	208	183	146
315	Airflow l/s	311	297	283	264	254	224
400	Airflow l/s	637	606	556	513	450	375
450	Airflow l/s	1000	944	861	778	694	639



- ✓ FULLY COMPLIANT WITH NON-DOMESTIC BUILDING SERVICES DIRECTIVE 2013
- ✓ 100,000 HOUR LONG LIFE EC FANS
- ✓ ULTRA LOW PROFILE DESIGN
- ✓ WEATHER PROOFED VERSION AVAILABLE

EDF PLUS

For use in most commercial applications. Integral ECO – SF controller allowing trickle & boost options with speed adjustment. Enable/Disable from BMS/VFC time-switch. Fault output.



Eco-SF Controller

EDF

Ideal for use for individual small office if occupant requires manual control over air flow. Requires separate ECO-SPEED controller - manual variable local speed control and off position.



Eco Speed Controller

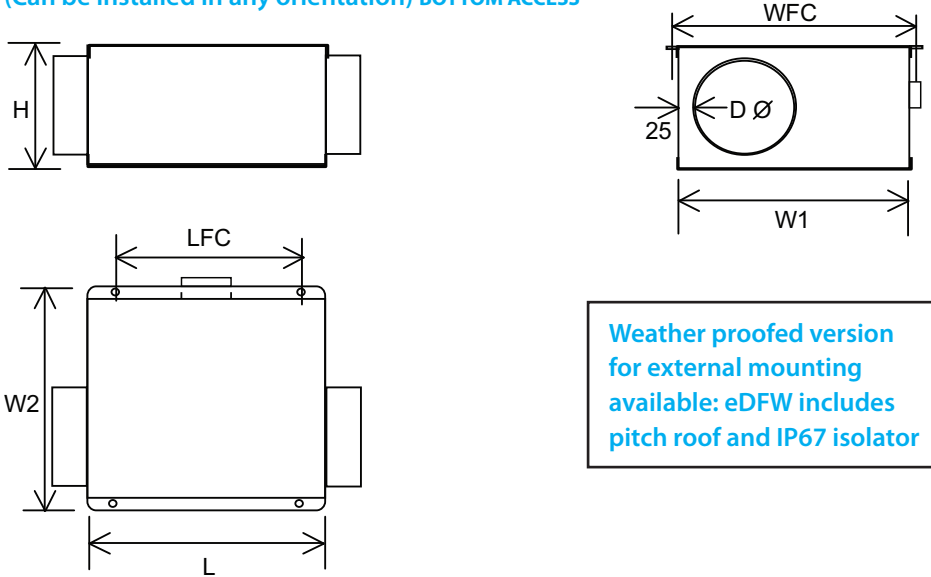


Dimensions:

eDF Series Dimensions (mm) & Weight (kg):								
Model	W1	W2	L	H	DØ	LFC	WFC	(kg)
150	300	360	340	190	150	240	330	18
200	400	460	460	245	200	360	430	22
250	490	550	500	285	250	400	520	34
315	490	550	500	350	315	400	520	41
400	590	650	680	440	400	580	620	52
450	730	790	850	500	450*	650	760	72

* eDF450 = 450 SQ. DUCT with 20mm MEZ Flange

(Can be installed in any orientation) **BOTTOM ACCESS**



Weather proofed version
for external mounting
available: eDFW includes
pitch roof and IP67 isolator

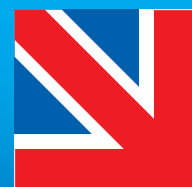
eDF / eDF PLUS Acoustic Fans

eDF Series 230V/1ph/50Hz Electrical & Technical Data								
Model	Nominal Airflow (l/s)	Max. Current (Amps).	Input @ 150Pa. (W)	Unit SFP @ 150Pa.	Unit SFP @ 100Pa.	Unit SFP @ 50Pa.	Max. Ambient deg. C.	Protection Class
150	60	0.26	26	0.4	0.36	0.26	60	IP54
200	175	0.7	78	0.45	0.38	0.33	60	IP54
250	210	0.6	75	0.36	0.29	0.2	60	IP54
315	260	0.9	108	0.4	0.35	0.29	60	IP54
400	500	1.1	160	0.3	0.26	0.2	60	IP54
450	800	1.1	247	0.3	0.25	0.2	60	IP54

eDF Series in duct sound power data (dB ref. 10 ⁻¹² W)										*Breakout	
Model	In-Duct PWL	Hz.	63	125	250	500	1k	2k	4k	8k	dBA* @ 3m
150	dB		58	54	54	54	53	54	52	47	21
200			54	57	60	61	60	60	56	54	29
250			55	57	61	59	57	54	51	46	23
315			64	61	64	63	62	60	57	54	31
400			59	62	64	63	60	56	55	50	29
450			59	65	59	61	56	55	50	42	27

Eco-Airvent Limited

Suite 1, 3rd Floor
11-12 St. James's Square
London SW1Y 4LB
Tel: +44 (0) 1234 910844
Email: sales@eco-airvent.co.uk
www.eco-airvent.co.uk



Made
in the
UK