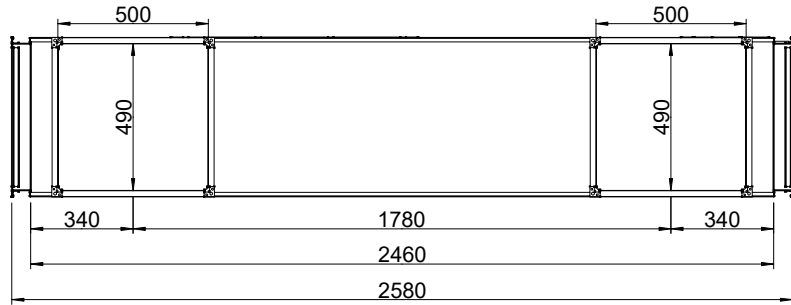
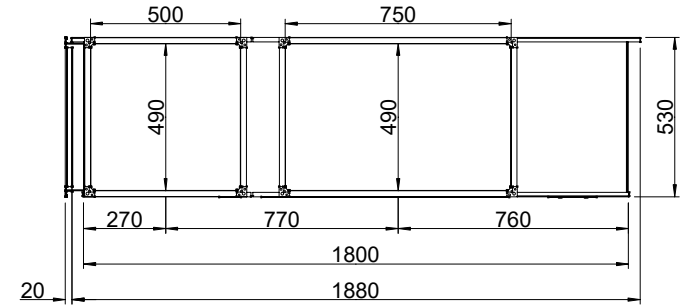


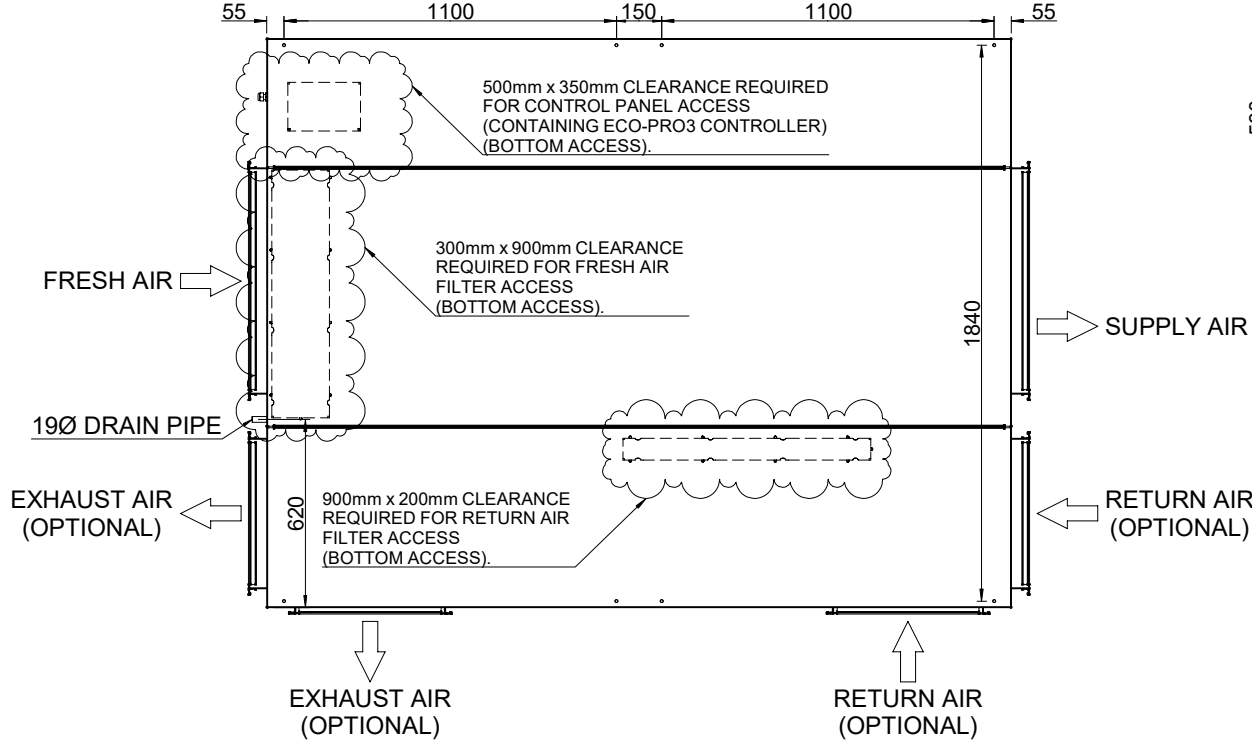
SIDE VIEW



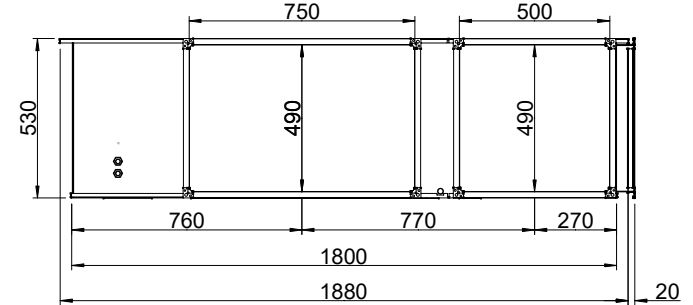
SUPPLY AIR END VIEW



PLAN VIEW



FRESH AIR END VIEW



NOTES:

- 1) HANGING POSITIONS HAVE 9mm DIA HOLES (X8)
- 2) RECTANGULAR SPIGOTS HAVE MEZ.20 FLANGES FITTED

REVISION	REASON FOR REVISION	INITIALS	DATE	DRAWING No: VHR500VHR600RHABCDPRO3		
REV A				DRAWING DESCRIPTION: VHR500-VHR600 RIGHT HAND CONFIGURATION A,B,C,D WITH ECO-PRO3 CONTROLLER		
REV B				QUOTE No AND NAME: NA		
REV C				DRAWN BY: PJT	DATE: 13/03/18	SCALE: 1:25 @ A4
						DIMENSIONS: mm

